

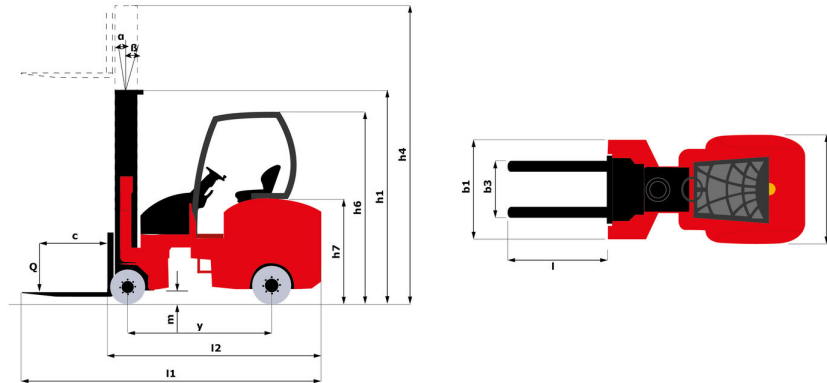
Technical sheet :

EMA II 17



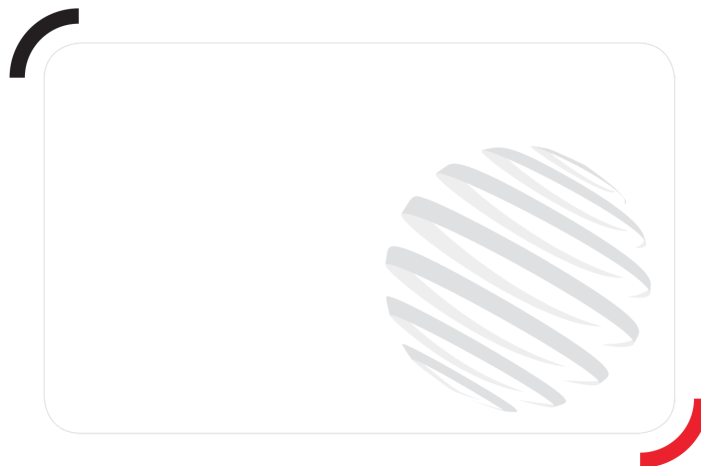
	Technical characteristics		Metric
1.1	Manufacturer		Manitou
1.2	Model Name		EMA II 17
1.3	Power source		Battery
1.4	Operator type		Seated
1.5	Max. capacity	Q	1700 kg
1.6	Load centre of gravity	c	500 mm
1.8	Load distance, centre of drive axle to fork	x	278 mm
1.9	Wheelbase	y	1745 mm
	Weight		
2.1	Service weight		6000 kg
2.2	Weight on front axle (laden) / rear axle (laden)		4250 kg / 3250 kg
2.3	Weight on front axle (Unladen) / rear axle (Unladen)		2000 kg / 4000 kg
	Wheels		
3.1	Tyres type		PPS
3.2	Dimensions of front wheels		412 x 152
3.3	Dimensions of rear wheels		457 x 152
3.5	Number of front wheels / rear wheels		2 / 2
3.5.2	Number of drive wheels		2
3.6	Front wheel gauge	b10	960 mm
3.7	Rear wheel gauge	b11	1080 mm
	Dimensions		
4.1	Tilt of Mast Forward (deg) / Backward (deg)	α / β	1.5 / 3.5
4.7	Height of overhead guard (cabin)	h6	2260 mm
4.8	Seat height/stand height	h7	1200 mm
4.19	Overall length	l1	3710 mm
4.20	Length to face of forks	l2	2560 mm
4.21	Overall width	b1	1080 mm
4.22	Forks section / width / length	s / e / l	40 mm x 100 mm / 1150 mm
4.23	Fork carriage ISO 2328 (class/form) A/B		2
4.24	Fork carriage width	b3	860 mm
4.31	Ground clearance below mast	m1	50 mm
4.32	Ground clearance at centre of wheelbase	m2	130 mm
4.34	Aisle width for 800 x 1200 pallet lengthways	Ast	2000 mm
	Performances		
5.1	Travel speed (laden / unladen)		9 km/h / 9.50 km/h
5.2	Lifting speed (laden / unladen)		0.35 m/s / 0.45 m/s
5.3	Lowering speed (laden / unladen)		0.40 m/s / 0.36 m/s
5.7	Gradeability (laden / unladen)		8 % / 10.50 %
5.10	Service brake		Hydraulic
	Engine		
6.1	Drive motor rating S2 60 min		10 kW
6.2	Lift motor rating at S3 15%		9 kW
6.3	Battery according to DIN 43531/35/36 A, B, C		DIN 43595
6.4	Battery / Batteries capacity		48 V / 620 Ah
	Miscellaneous		
8.1	Type of drive control		Mosfet AC speed controller
8.2	Working hydraulic pressure for attachments		200 bar
8.3	Oil flow rate for attachments		25 l/min
8.4	Measured/guaranteed mean noise level at the ear of the operator		< 73 dB(A)
8.4	Sound level at the driver's ear according to DIN 12 053		73 dB(A)

EMA II 17 - Dimensional drawing



Characteristics of masts and residual capacities

Free Lift Triplex		FLT 4200	FLT 4620	FLT 4800	FLT 5010	FLT 5220	FLT 5550	FLT 6000	FLT 6600	FLT 7200	FLT 7620
h2 - Free lift	mm	1480	1620	1680	1750	1820	1930	2080	23300	2580	2770
h1 - Height mast lowered *	mm	2300	2440	2500	2570	2640	2750	2900	3150	3400	3590
h3 - Lifting Height	mm	4200	4620	4800	5010	5220	5550	6000	6600	7200	7620
h4 - Height mast extended *	mm	5030	5450	5630	5840	6050	6380	6830	7430	8030	8450
α / β - Mast inclination (front / rear)	°	1 / 3	1 / 3	1 / 3	1 / 3	1 / 3	1 / 3	1 / 3	1 / 3	1 / 3	1 / 3
Residual capacity with integrated side shift (Industrial load chart)	kg	1300	1300	1200	1200	1200	1200	1100	950	900	900
Residual capacity with integrated sideshift (Maximum height & LC = 600 mm)	kg	1250	1200	1100	1100	1100	1100	1000	900	850	850



Siège Social

430 rue de l'Aubinière - 44150 Ancenis Cedex - France

Tel: +33(0)2 40 09 10 11 - Fax: +33 (0)2 40 09 10 97

www.manitou.com



This brochure describes versions and configuration options for Manitou products which may be fitted with different equipment. The equipment described in this brochure may be standard, optional or not available depending on version. Manitou reserves the right to change the specifications shown and described at any time and without prior warning. The manufacturer is not liable for the specifications given. For more information, contact your Manitou dealer. Non-contractual document. Product descriptions may differ from actual products. List of specifications is not comprehensive. The logos and visual identity of the company are the property of Manitou and may not be used without authorisation. All rights reserved. The photos and diagrams contained in this brochure are provided for information only.

MANITOU BF SA - Limited company with board of directors - Share capital: 39,668,399 euros - 857 802 508 RCS Nantes